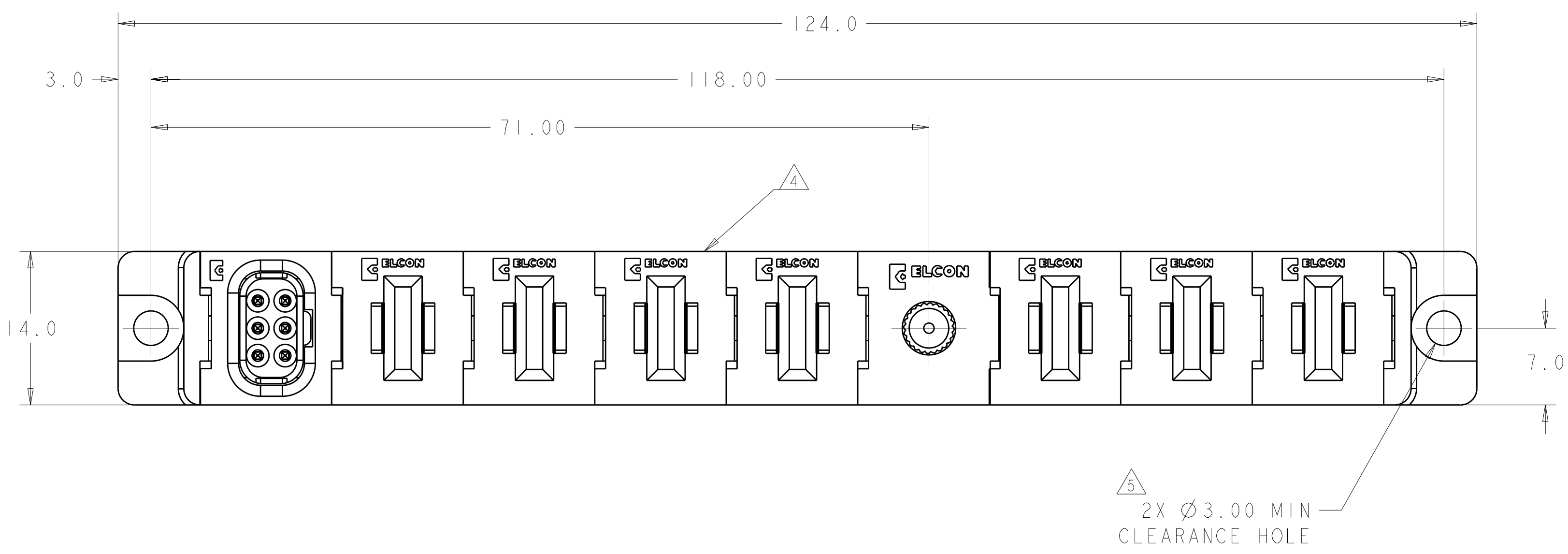


LOC	DIST	REVISIONS			
GP	00	REV	DATE	BY	APPD
		A	11SEP2007	RG	PD
		B	13SEP2011	RG	MS



1. PART NUMBER CHANGES AND OR DESIGN CHANGES AFFECTING ITEM INTERCHANGEABILITY REQUIRE PRIOR TYCO ELECTRONICS APPROVAL AND AUTHORIZATION BY REVISION TO THIS DRAWING.

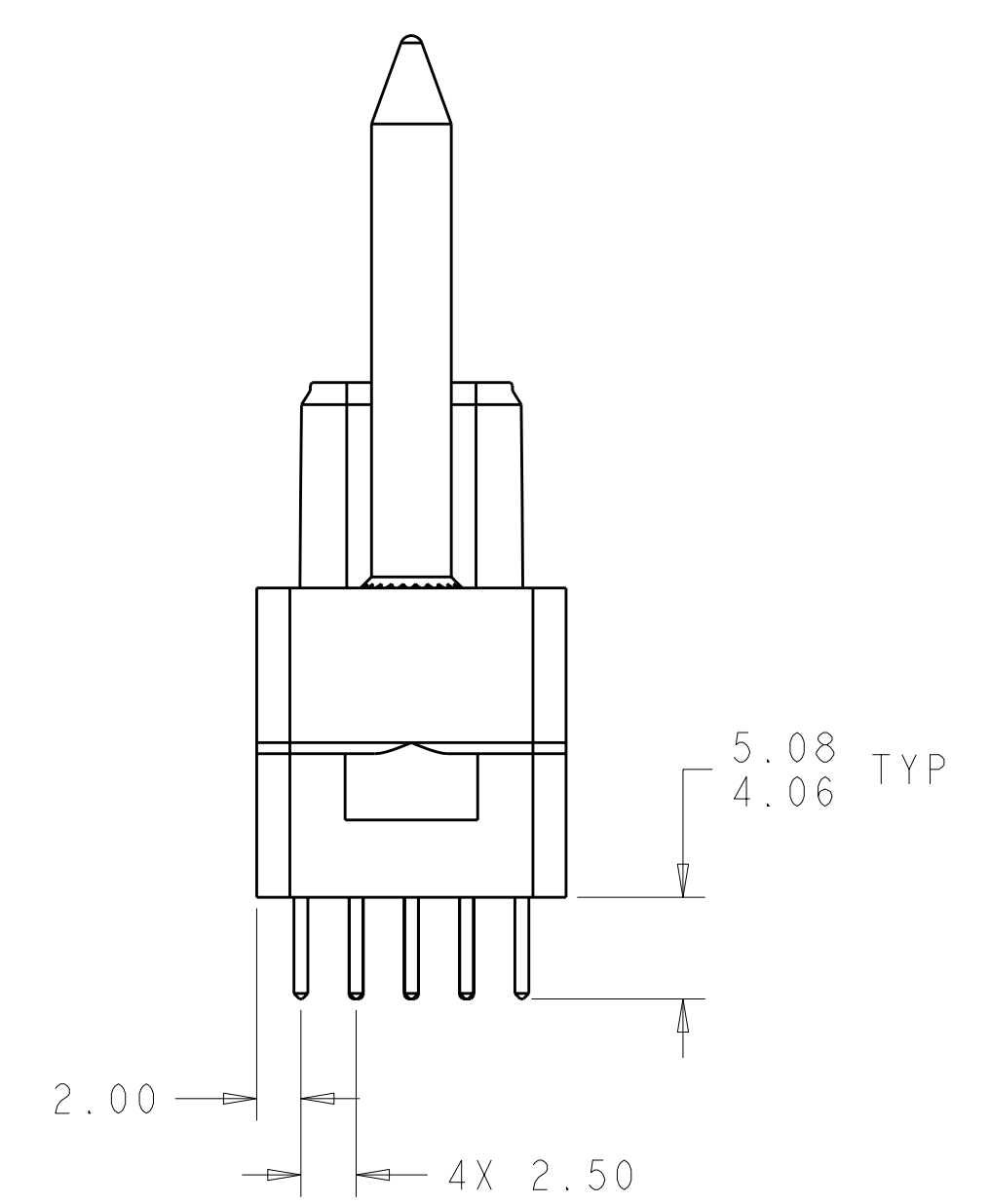
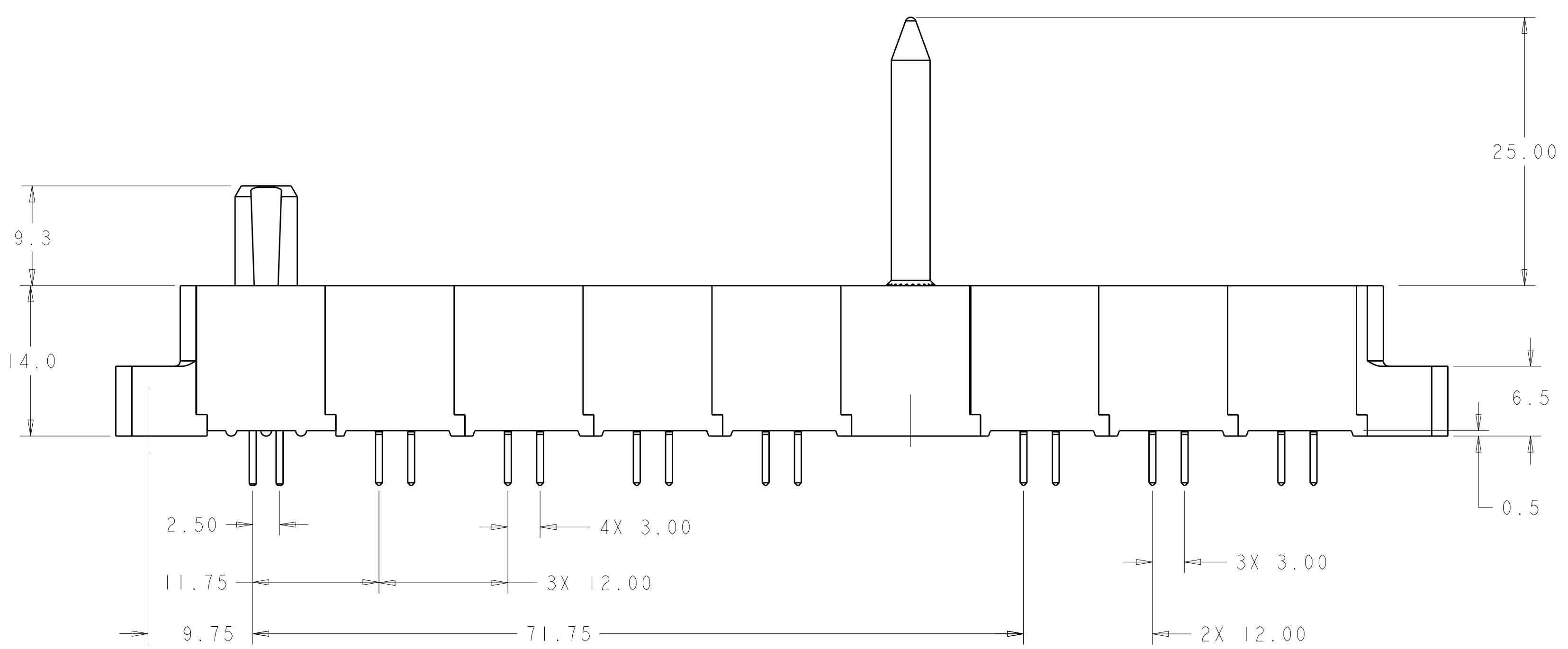
2 MATERIAL:  
 INSULATORS - THERMOPLASTIC, GLASS REINFORCED, COLOR: BLACK UL94V-0 FLAMMABILITY RATED.  
 POWER CONTACTS - PHOSPHOR BRONZE ALLOY, COPPER ALLOY  
 SOLDER SIGNAL PIN - BRASS ALLOY  
 CROWN BAND-BERYLLIUM COPPER ALLOY  
 GUIDE PIN-BRASS ALLOY

3 FINISH:  
 CONTACTS - GOLD PLATE 0.76µm MIN. THK., OVER NICKEL 1.27µm MIN. THK  
 SOLDER TAILS, TIN 3.05µm MIN. THK.  
 OVER NICKEL 1.27µm MIN. THK  
 GUIDE PIN - NICKEL PLATE 1.27µm MIN THK.

4 ITEMS PROVIDED TO THIS SPECIFICATION TO BE PERMANENTLY IDENTIFIED PER THE FOLLOWING IDENTIFIER LABEL

YEAR 1 WEEK 1  
 TYCO ELECTRONICS P/N XXXXXXXX-X DATE CODE (e.g. 0106) XXXX

5 MOUNTING FLANGES ACCEPT M3 OR 4-40 SCREWS (USER SUPPLIED).

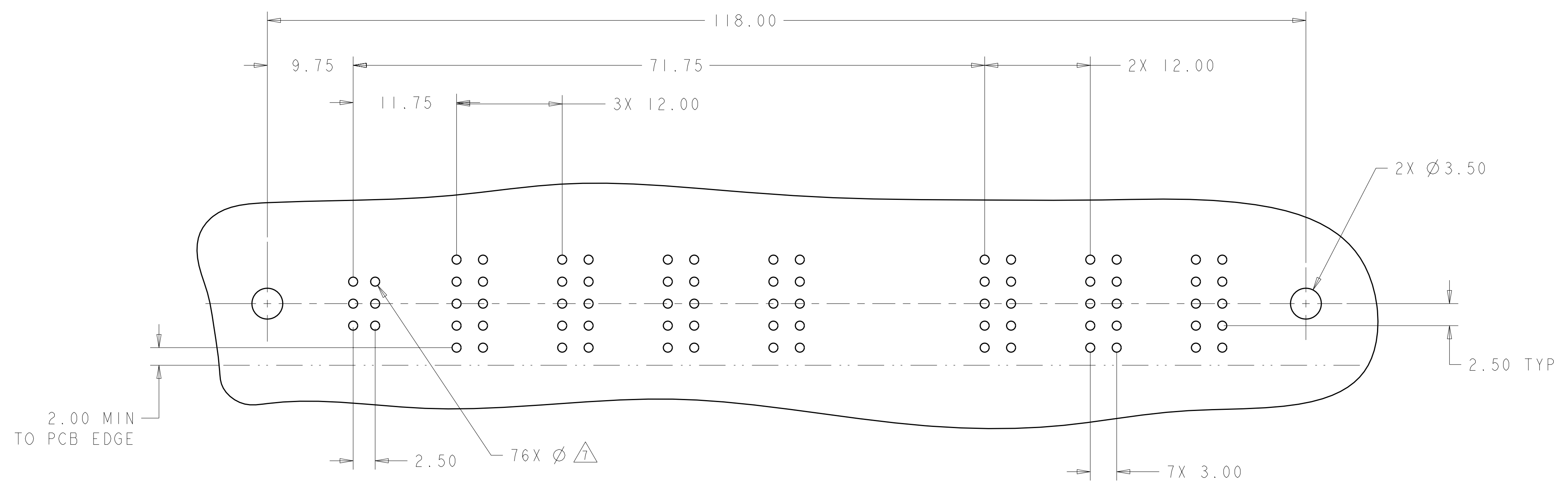


ELCON FLATPAQ

AMP 4805 REV 31MAR2000  
 Pro/ENGINEER DRAWING

DIMENSIONS:		TOLERANCES UNLESS OTHERWISE SPECIFIED:		DWN R. GRZYBOWSKI 11SEP107		AS SHOWN 6646317-1	
mm	0 PLC ±.5	1 PLC ±.5	2 PLC ±.25	CHK P. DAMATO 11SEP107	NAME S. FLICKINGER	DESCRIPTION PART NUMBER	
	3 PLC ±.5	4 PLC ±.5	ANGLES ±.3	APVD S. FLICKINGER 11SEP107	Tyco Electronics Harrisburg, PA 17105-3608		
				PRODUCT SPEC	SOCKET CONNECTOR, STRAIGHT SOLDER TAILS FLATPAQ		
				APPLICATION SPEC	SIZE CAGE CODE DRAWING NO	RESTRICTED TO	
MATERIAL				WEIGHT	A 100779 C-6646317		
				CUSTOMER DRAWING	SCALE 3:1	SHEET 1 OF 3	REV B

LOC	DIST	REVISIONS			
P	LTR	DESCRIPTION	DATE	DWN	APVD
GP	00	SEE SHEET 1	-	-	-



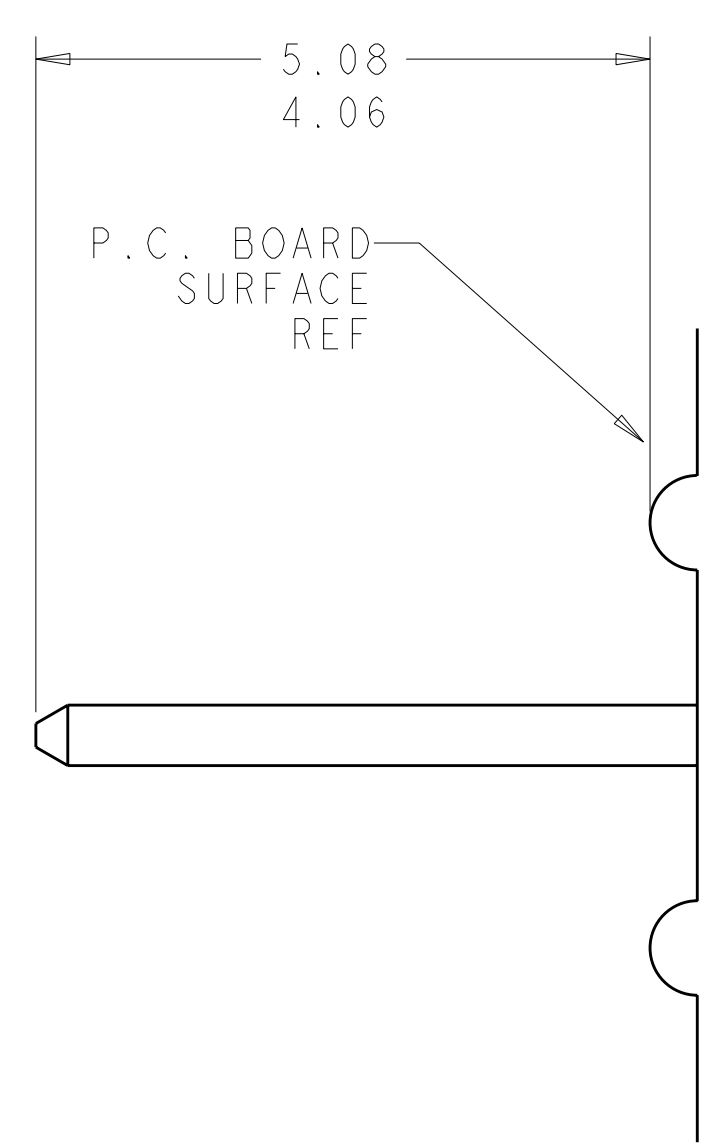
PRINTED CIRCUIT LAYOUT  
 COMPONENT SIDE

CONNECTOR	CATALOG MODULE #	QTY	SIZE NO.	CONTACT QTY	MATING PIN	MAX. CURRENT (PER CONTACT)	CONTACT SPACING	VOLTAGE RATING
SOCKET	FP116	4	8	4	1.25 X 7.00	35 amps	12.00	250 VOLTS
	FP313	1	8	6	.64 SQ.	3 amps	2.50	125 VOLTS
	FP503	2	GUIDE PIN, PASSIVE					
	FP500	1	MOUNTING FLANGE, LEFT					
	FP501	1	MOUNTING FLANGE, RIGHT					

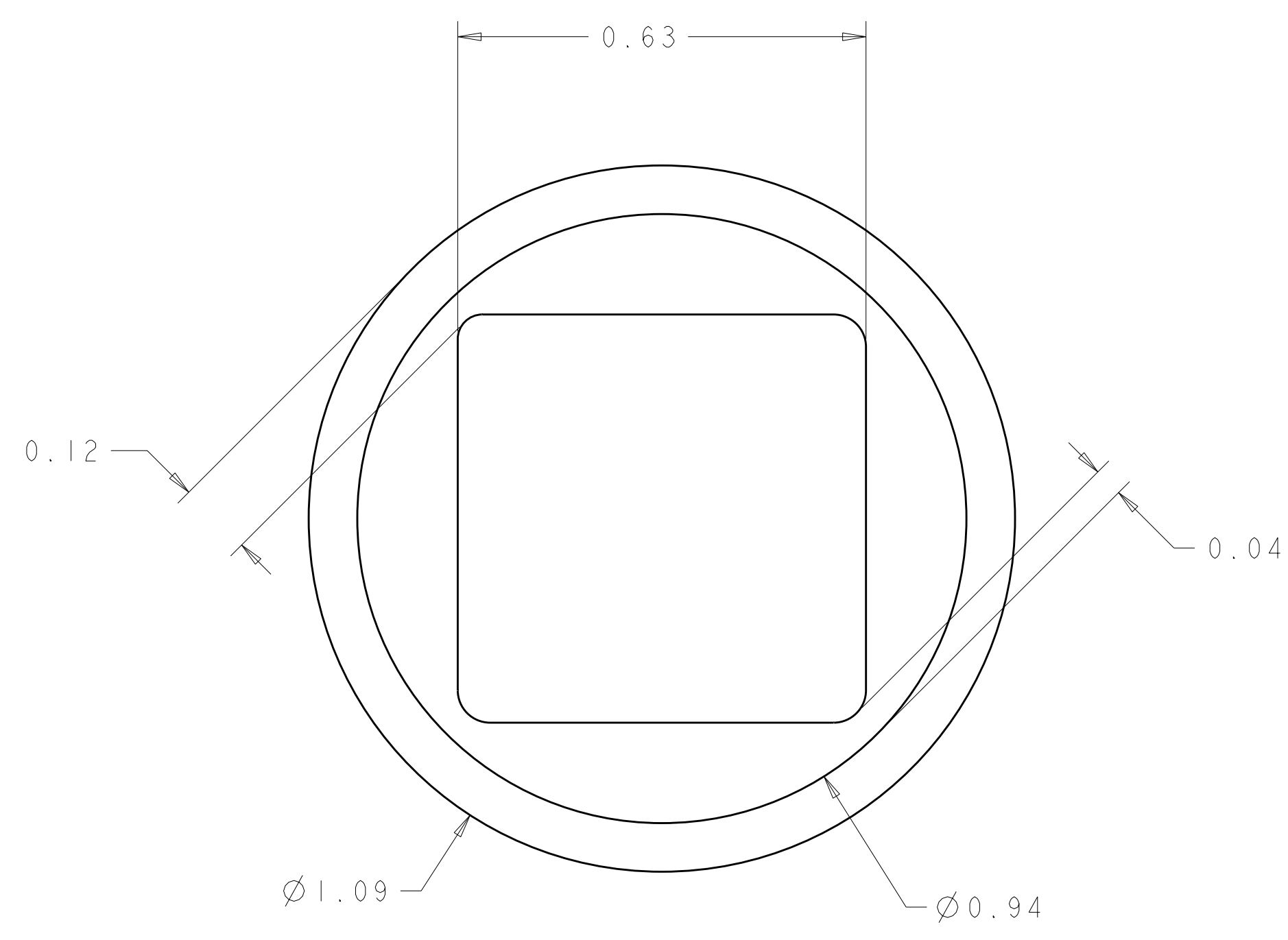
ELCON FLATPAQ

<small>THIS DRAWING IS UNPUBLISHED. RELEASED FOR PUBLICATION BY TYCO ELECTRONICS CORPORATION. ALL RIGHTS RESERVED.</small>		DWN: R. GRZYBOWSKI CHK: P. DAMATO APVD: S. FLICKINGER	I1SEPT07 I1SEPT07 I1SEPT07	Tyco Electronics Harrisburg, PA 17105-3608
DIMENSIONS: mm 	TOLERANCES UNLESS OTHERWISE SPECIFIED: 0 PLC ±.5 1 PLC ±.5 2 PLC ±.25 3 PLC ±.5 4 PLC ±.5 ANGLES ±.3	NAME: SOCKET CONNECTOR, STRAIGHT SOLDER TAILS FLATPAQ PRODUCT SPEC: APPLICATION SPEC: WEIGHT: FINISH:	SIZE: A1100779 CAGE CODE: C-6646317 DRAWING NO: CUSTOMER DRAWING	RESTRICTED TO: SCALE: 3:1 SHEET: 2 OF 3 REV: B

LOC	DIST	REVISIONS			
P	LTR	DESCRIPTION	DATE	DWN	APVD
GP	00	SEE SHEET 1	-	-	-



6. SOLDER PIN DETAIL  
SCALE 10 : 1



△ SOLDER TERMINATION AREA  
SCALE 40:1  
RECOMMENDED PRINTED CIRCUIT SOLDER HOLE  
FINISHED HOLE: Ø1.02 [.040] ±.08 [.003]  
DRILLED HOLE: Ø1.15 [.0453] ±.013 [.0005]  
COPPER PLATE: .025 [.0010] MIN  
TIN PLATE: .008 [.0003] MIN. (PER SURFACE)

<small>THIS DRAWING IS UNPUBLISHED. RELEASED FOR PUBLICATION BY TYCO ELECTRONICS CORPORATION. ALL RIGHTS RESERVED.</small> <small>THIS IS SUBJECT TO CHANGE WITHOUT NOTICE AND WITHOUT OBLIGATION. SHOULD BE CONTACTED FOR THE LATEST REVISION.</small>		DWN R. GRZYBOWSKI I1SEPT07 CHK P. DAMATO I1SEPT07 APVD S. FLICKINGER I1SEPT07	Tyco Electronics Harrisburg, PA 17105-3608
DIMENSIONS: mm 	TOLERANCES UNLESS OTHERWISE SPECIFIED: 0 PLC ±.5 1 PLC ±.5 2 PLC ±.25 3 PLC ±.25 4 PLC ±.25 ANGLES ±.3 FINISH	NAME PRODUCT SPEC APPLICATION SPEC WEIGHT CUSTOMER DRAWING	SOCKET CONNECTOR, STRAIGHT SOLDER TAILS FLATPAQ SIZE CAGE CODE DRAWING NO A100779C-6646317 SCALE 3:1 SHEET 3 OF 3 REV B