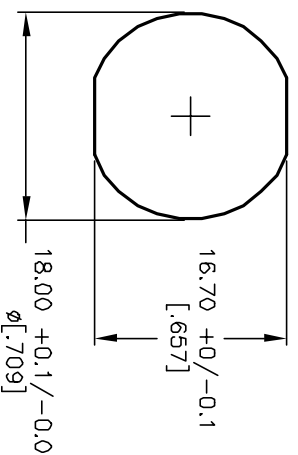
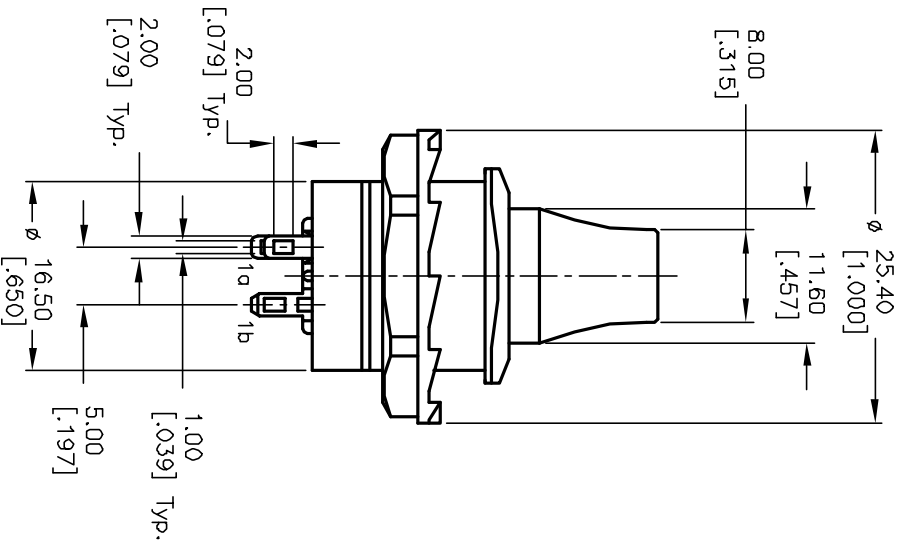
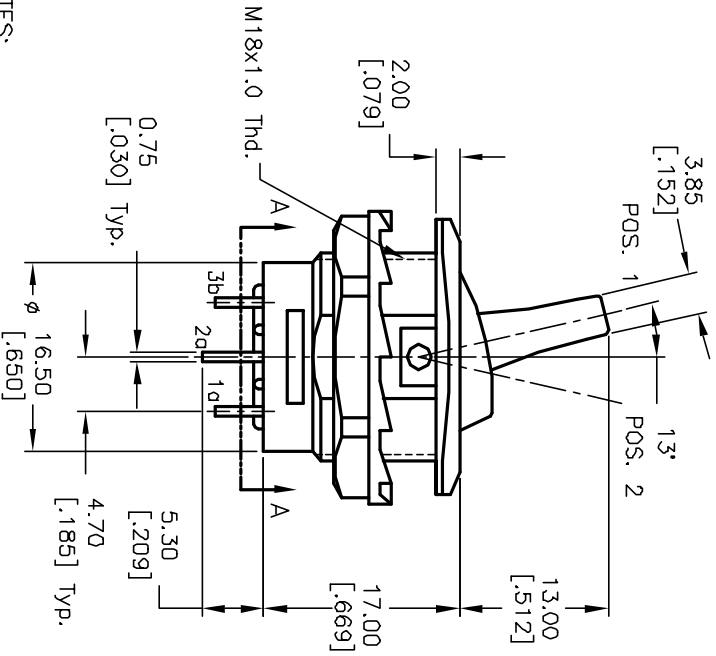
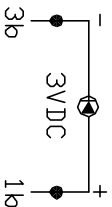


SECTION A-A



RECOMMEND PANEL MOUNTING



CIRCUIT: 4P. SPST
CONTACT CONFIGURATION

SWITCH FUNCTION	
POS. 1	POS. 2
ON	OFF
2a-1a	OPEN

- NOTES:
1. ALL DIMENSIONS IN MM [INCH]
 2. GENERAL TOLERANCE: 0.0=±0.4
0.00=±0.25
 3. TERM. NOS. FOR REF. ONLY
 4. CONTACT RESISTANCE: 50m ohm max.
 5. INSULATION RESISTANCE: DC 500V, 100M ohm min.
 6. DIELECTRIC STRENGTH: AC 1500V 1 minute

REV.	ECN No.	DESCRIPTION	DATE	CHKD
A	10519	RELEASED FOR PRODUCTION		

TITLE	SCALE	DATE	DR	DWG	REV
RR34054L-RED	1.5:1	2/8/00	MM	F030007	A

E-SWITCH®

THE INFORMATION CONTAINED IN THIS DOCUMENT IS PROPRIETARY TO E-SWITCH AND IS NOT TO BE COPIED OR TRANSFERRED